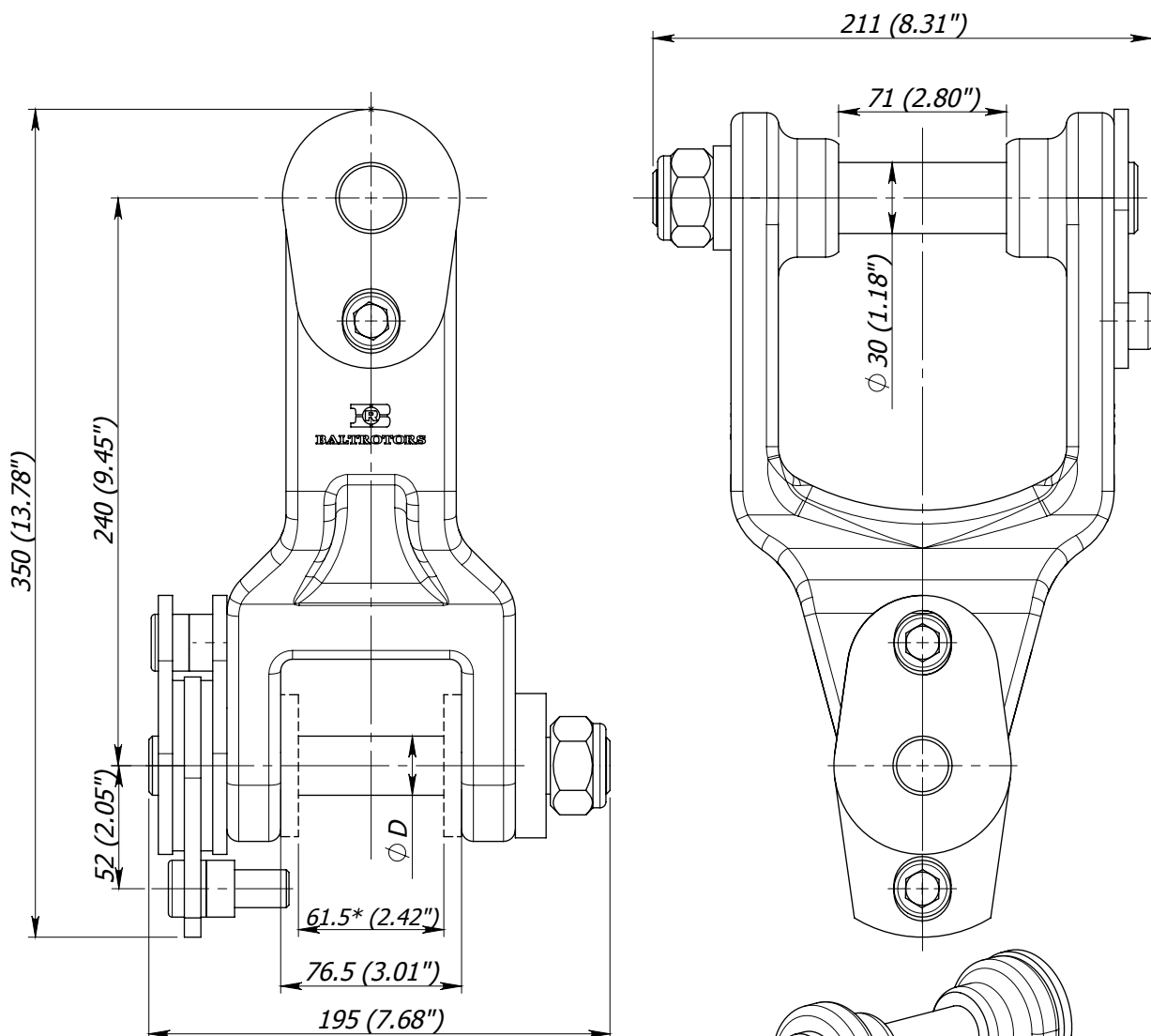


LINK BR 40



*** Only by request for rotator GR 30**

Link	Pin diameter D (mm)
BR 40	25 (0.98'')
BR 40-A	30 (1.18'')

Serial number

- Pin locking nut is tightened with a torque of 60 - 160 Nm (45 - 120 lb ft) dependent on desired brake power.
- Weight - 13.5±1 kg (29.76±2.20 lb)



Eurograb Rotators
Kobaltstraat 21, 1411 AM Naarden
Tel: 0031 (0) 6 53 536 381 - 0031 (0) 6 11 320 757
www.eurograb.nl info@eurograb.nl