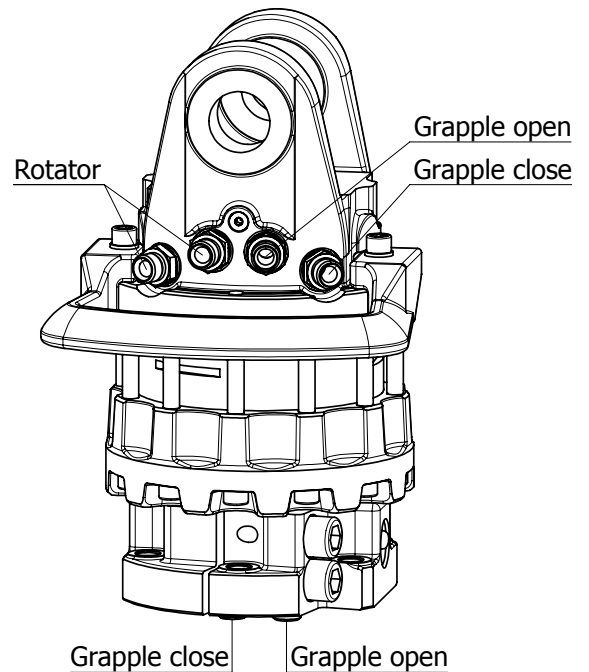
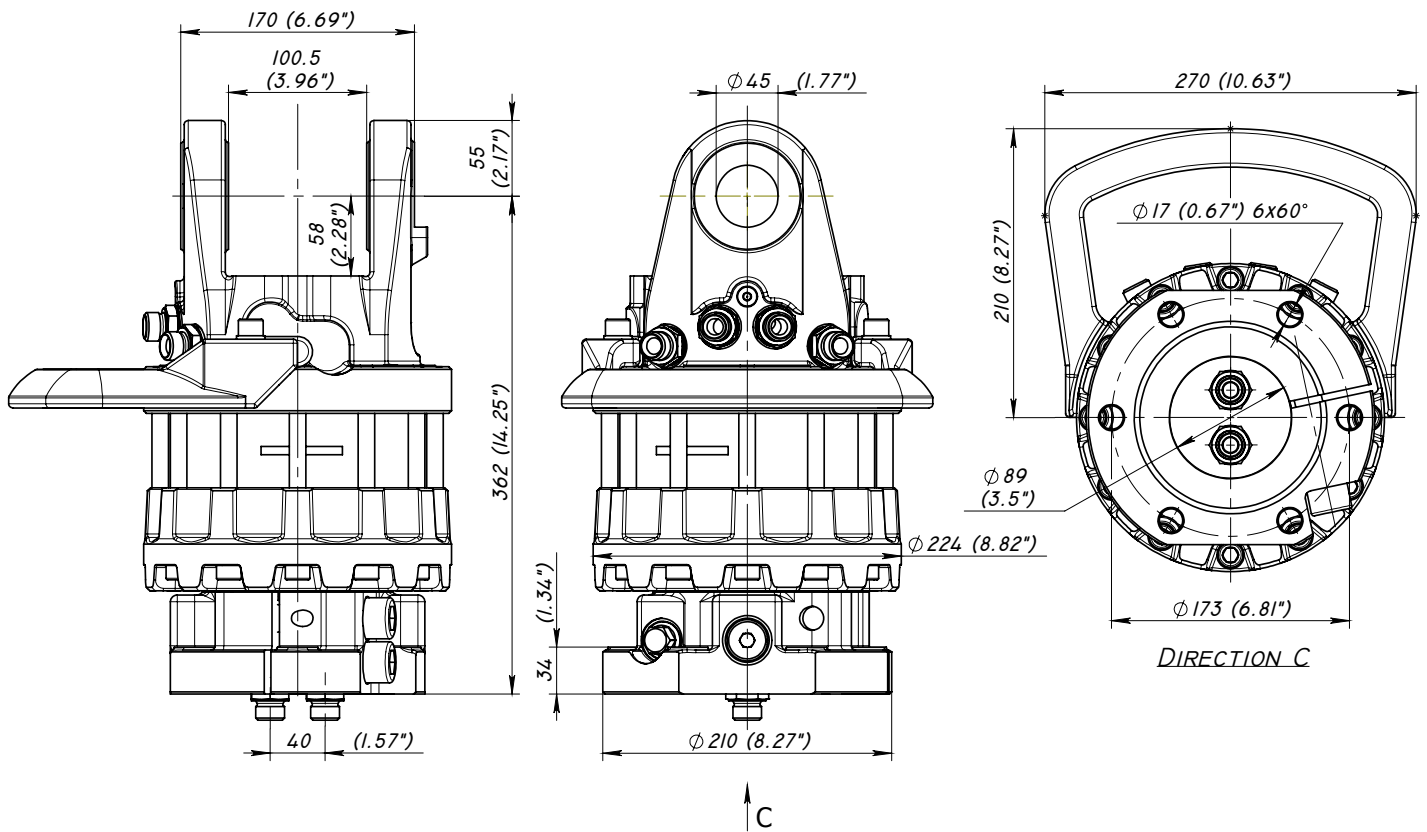


ROTATOR GR 12 S



Technical data

| | |
|---------------------------------------|------------------------------|
| Rotation | Unlimited |
| Max axial load static, KN (lbf) | +120 (26982) - 90 (20236) |
| Max axial load dynamic, KN (lbf) | +60 (13491) - 45 (10118) |
| Torque at 25Mpa (3625psi), Nm (lb ft) | 2900 (2139) |
| Rec oilflow, l/min (US gallon) | 35 (9.25) |
| Weight, kg (lb) | 70 (154) |

Max working pressure:

| | | |
|----------------------|-----|-----------------------|
| Rotator | ←R→ | Max 25 MPa (3625 psi) |
| Grapple / Tool open | ←G→ | Max 30 MPa (4350 psi) |
| Grapple / Tool close | →G← | Max 30 MPa (4350 psi) |

Connection:

| |
|--------|
| G 1/2" |
| G 1/2" |
| G 1/2" |

2007.12.11.



Eurograb Rotators
Kobaltstraat 21, 1411 AM Naarden
Tel: 0031 (0) 6 53 536 381 - 0031 (0) 6 11 320 757
www.eurograb.nl info@eurograb.nl