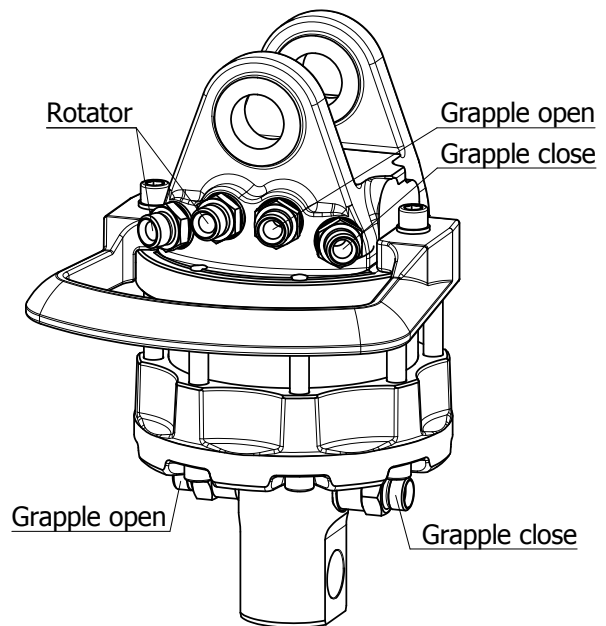
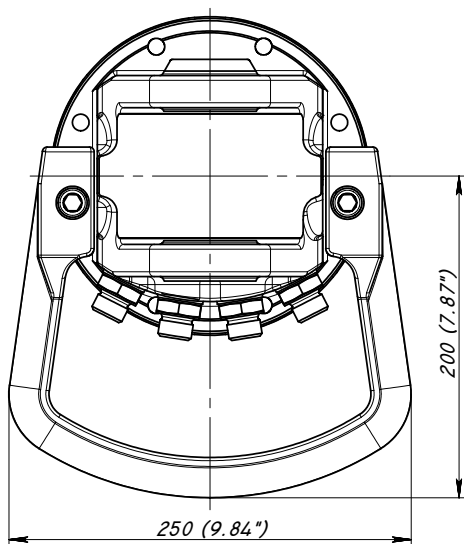
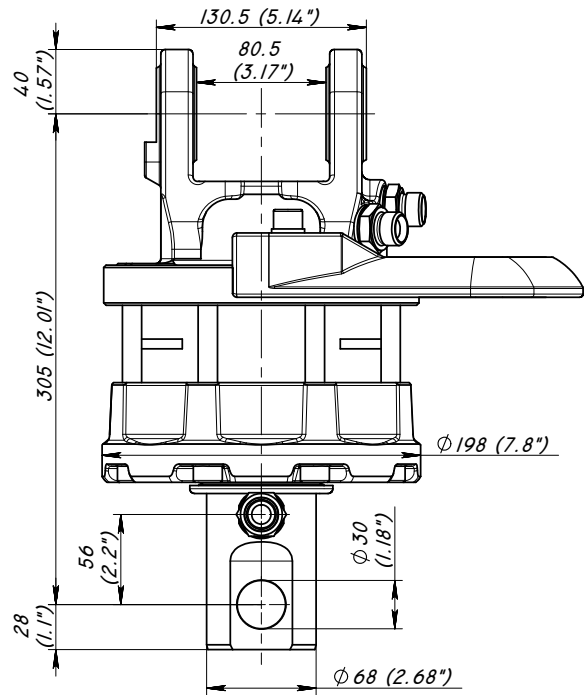
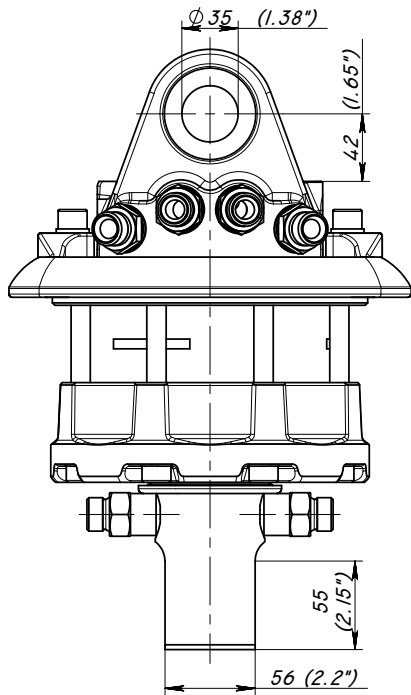


# ROTATOR GR 60



## Technical data

|                                       |             |
|---------------------------------------|-------------|
| Rotation                              | Unlimited   |
| Max axial load static, KN (lbf)       | 60 (13491)  |
| Max axial load dynamic, KN (lbf)      | 30 (6745)   |
| Torque at 25Mpa (3625psi), Nm (lb ft) | 1900 (1401) |
| Rec oilflow, l/min (US gallon)        | 25 (6.6)    |
| Weight, kg (lb)                       | 36 (79)     |

### Max working pressure:

|                      |     |                       |
|----------------------|-----|-----------------------|
| Rotator              | ↔R↔ | Max 25 MPa (3625 psi) |
| Grapple / Tool open  | ↔G↔ | Max 20 MPa (2900 psi) |
| Grapple / Tool close | →G← | Max 30 MPa (4350 psi) |

### Connection:

|        |
|--------|
| G 1/2" |
| G 1/2" |
| G 1/2" |

2007.12.10.



**Eurograb Rotators**  
**Kobaltstraat 21, 1411 AM Naarden**  
**Tel: 0031 (0) 6 53 536 381 - 0031 (0) 6 11 320 757**  
**www.eurograb.nl info@eurograb.nl**