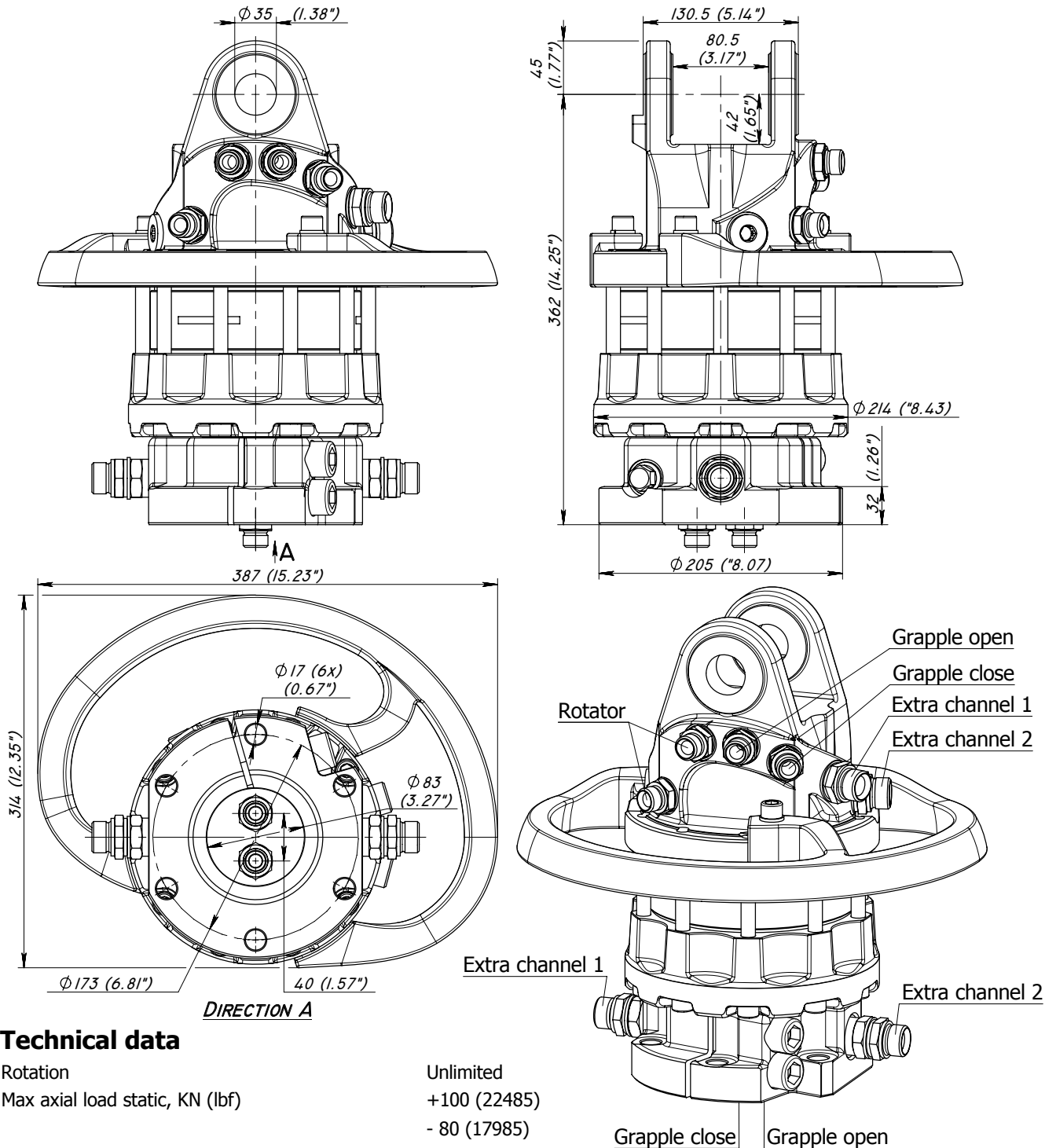


ROTATOR GRS 10



Technical data

Rotation	Unlimited
Max axial load static, KN (lbf)	+100 (22485) - 80 (17985)
Max axial load dynamic, KN (lbf)	+50 (11242) - 40 (8992)
Torque at 25MPa (3625psi), Nm (lb ft)	2700 (1991)
Rec oilflow, l/min (US gallon)	30 (7.9)
Weight, kg (lb)	64 (142)

Max working pressure:

Rotator	$\leftarrow R \rightarrow$	Max 25 MPa (3625 psi)
Grapple / Tool open	$\leftarrow G \rightarrow$	Max 20 MPa (2900 psi)
Grapple / Tool close	$\rightarrow G \leftarrow$	Max 30 MPa (4350 psi)
Extra oil function	$\boxed{1} \boxed{2}$	Max 30 MPa (4350 psi)

Connection:

G 1/2"
G 1/2"
G 1/2"
G 3/4"

2007.12.11.



Eurograb Rotators
Kobaltstraat 21, 1411 AM Naarden
Tel: 0031 (0) 6 53 536 381 - 0031 (0) 6 11 320 757
www.eurograb.nl info@eurograb.nl