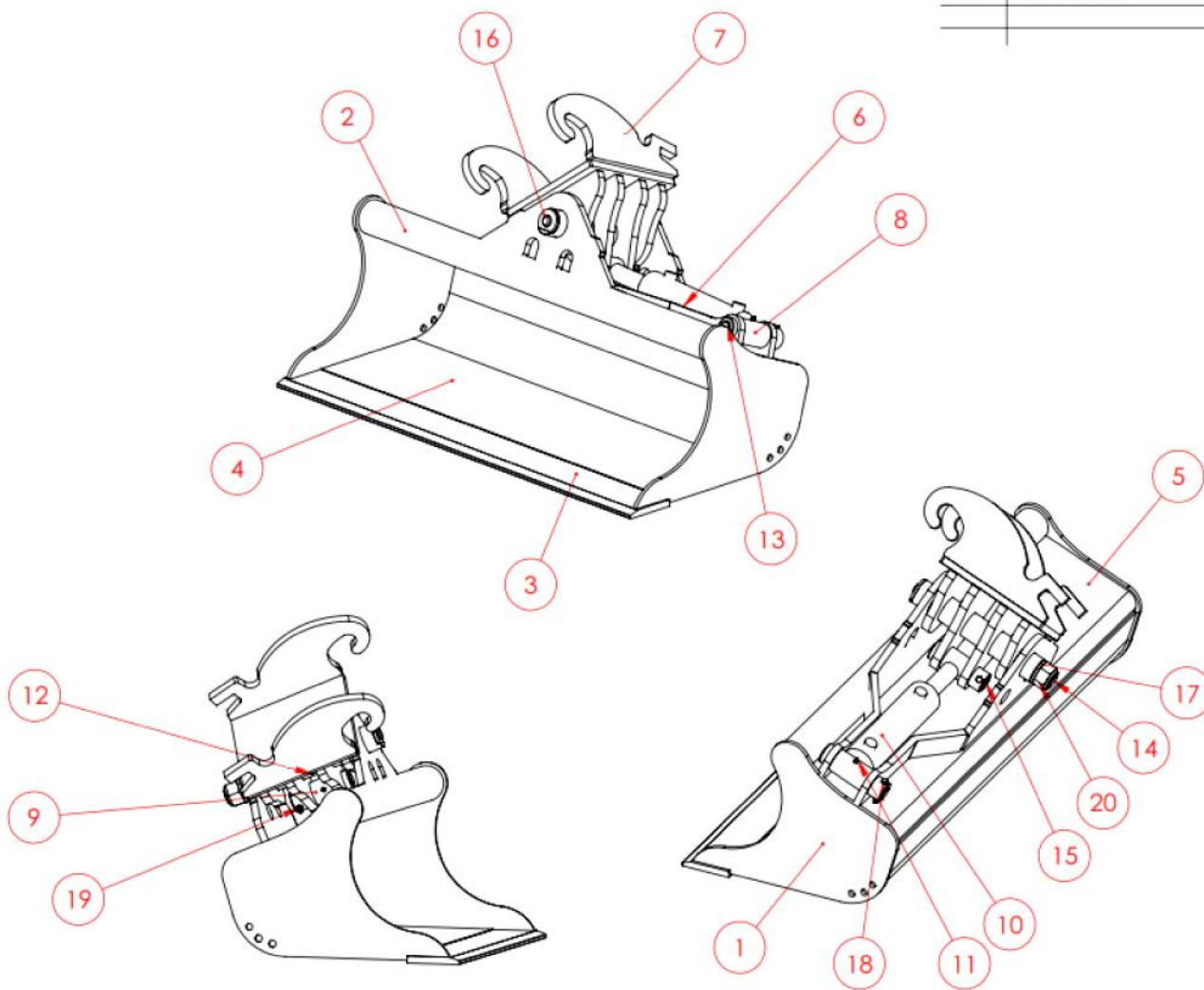


ALL DIMENSIONS IN MM UNLESS OTHERWISE STATED

Rev	Revision history	Date
A	Part release	25/09/2015

ITEM NO.	PART NUMBER	Default/ QTY.
1	EG-KA150-4-5T-SIDE	2
2	EG-KA150-PIPE- DIA 100 X 8 X 1460MM	1
3	EG-KA150-EDGE-150 X 20 X 1500MM	1
4	EG-KA150-4-5T-BACK BOTTOM	1
5	EG-KA150-4-5T-BACK TOP	1
6	EG-CW10-BRACKETS	1
7	EG-0122-01-A	1
8	EG-0001-01-A BARRELL	1
9	EG-0001-01-A ROD	1
10	EG-0001-01-A CHECK VALVE	1
11	Lubrication-Nipple-A- M8	2
12	Lubrication-Nipple-A- M8	1
13	EG-0113-01-A	1
14	EG-0035-01-A	1
15	EG-0114-01-A	1
16	EG-0027-01-A	1
17	EG-0029-01-A	1
18	ISO 4014 - M10 x 80 x 26-S	2
19	ISO 10512-M10x1.25-S	2
20	EG-CW10-CW20- M42 Lock Nut	1



Notes:
 Material thickness: as shown
 Flat pattern: n/a
 All Tolerances $\pm 0.2\text{mm}$
 - unless otherwise stated
 Finishing requirements:

www.eurograb.nl / info@eurograb.nl

Eurograb
 Aanbouwdelen



Material

Sheet No:	2	Drawn :	Ray	25/09/2015	REV	A
Checked:		Approved:				

SCALE: 1:20

SHEET 2 OF 4

TITLE:

EG-KA150-4-5T-BUCKET ASSEMBLY

Description:

Part description